

CONNECT
SHARE
ENTERTAIN™

DVD
DIGITAL CAMERA
SET-TOP BOX
DIGITAL PRINTING
MOBILE
IP CORES

SupraXD® 170

STANDARD DEFINITION H.264 SET-TOP BOX PROCESSOR

Product Brief

Zoran Corporation
1390 Kifer Road
Sunnyvale, CA 94086

408 523 6500
Fax 408 523 6501
www.zoran.com

Overview

The SupraXD® 170 processor is highly integrated and optimally suited for standard definition advanced Set-Top Box applications. The processor consists of an advanced multi-standard programmable decoder, multi-format standard definition decoder, television quality video processor/scaler with HDMI output. Optimized cost performance makes this processor ideal for standard definition H.264 emerging markets such as India Satellite, Standard Definition Cable DTAs and Terrestrial Set-Top Boxes.

Standard transport stream interfaces enable seamless connection to commercially available tuners, demodulators and conditional access devices, providing maximum front-end flexibility. Front-end options include Terrestrial, Cable, Satellite and Ethernet communications. Complete reference design including schematics, documentation and software is available.

SupraXD® 170 processor Features Summary

CPU

- MIPS® processors (850 DMIPS), supporting ThreadX and Linux operating systems

Memory

- DDR2 - x16 bits, up to 450 MHz
- Flash - SPI, parallel NOR or NAND

Transport Stream Demultiplexer With Advanced Security

- 270 MHz secure processor
- Two Parallel or five Serial TS ports
- Multi-stream TS Demux supporting ATSC, DVB and ARIB
- Dual Smart Card interfaces with integrated protection & control
- DVB / Multi2 / NDS ICAM and SVP descrambling
- 1 KB OTP, secure boot and 3DES / AES support
- Advanced Security for Conax / Irdeto / Nagra / NDS
- Integrated two-slot DVB-CI / DVB-CI+ controller with integrated buffers

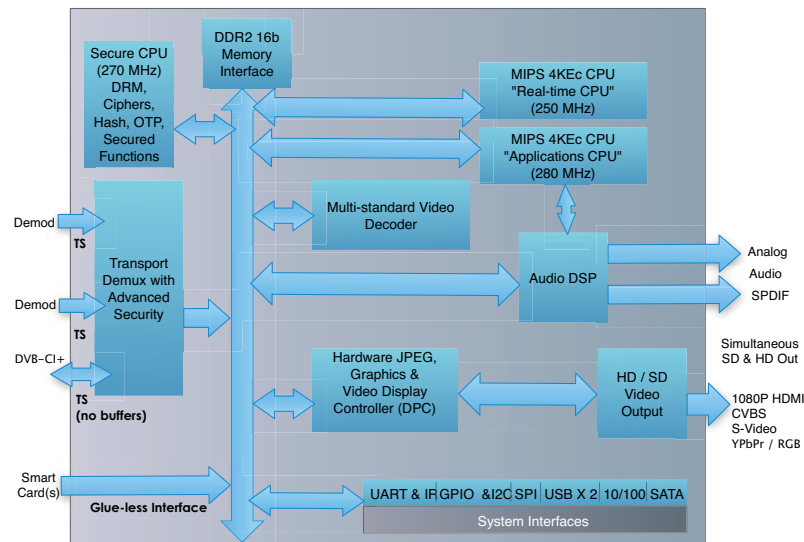
Video and Image Decoder

- Multi-standard programmable SD video decoder
 - H.264/AVC:MP@L3, HP@L3
 - VC1:SP@LL, MP@LL, MP@ML, AP@L1
 - MPEG-2: MP@ML
 - MPEG-4: L5 Advanced Simple Profile (ASP)
- JPEG hardware decoding

Graphics

- 32-bit RGB, BLT engine, Porter-Duff support
- Multi-plane graphic scaler / anti-flicker filtering, and blender
- Subtitles decoder
- Max Graphics Resolution 1920x1080P

SupraXD® 170 Processor Architecture Block Diagram



Video Processing and Output

- HDMI 1.3 including CEC, supporting 1080P output without external ESD Filters
- NTSC / PAL video encoder with 5 integrated video DACs
- 3D noise reduction
- High quality Motion adaptive deinterlacing
- Horizontal/Vertical up/down scaler
- Selective color correction
- Edge enhancement

Audio

- Audio DSP capable of:
 - Dolby Digital
 - MPEG (Layer I, II, II)
 - WMA
 - AAC
 - Post-processing
- S/PDIF, I²S, integrated stereo audio DACs

Interfaces

- 2 port USB 2.0 High Speed Host controller and PHY including power control
- SATA port
- 10/100 Ethernet MAC with RMI interface
- Guest bus, 3 x I²C, 4 x SPI, 3 x UARTs
- Integrated digital timing oscillator replacing VCXO (single crystal)

Package

- 23 mm x 23 mm 448 BGA Green package

CONNECT
SHARE
ENTERTAIN™

DVD
DIGITAL CAMERA
SET-TOP BOX
DIGITAL PRINTING
MOBILE
IP CORES

SupraXD® 170

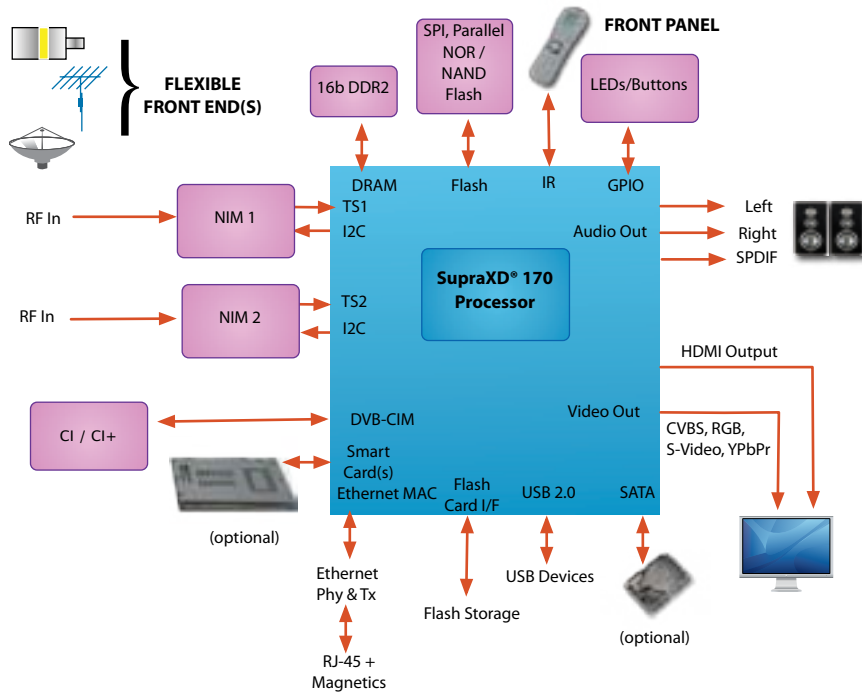
STANDARD DEFINITION H.264 SET-TOP BOX PROCESSOR

Product Brief

Zoran Corporation
1390 Kifer Road
Sunnyvale, CA 94086

408 523 6500
Fax 408 523 6501
www.zoran.com

SupraXD® 170 Processor System Block Diagram



SupraXD® 170 India Satellite Reference Design



For more information, contact Zoran's Sunnyvale office or the office nearest you:

Shanghai, China	Shenzhen, China	India	Israel	Japan	Korea	Taiwan
Zoran China Office	Zoran China Office	Zoran India Office	Zoran Microelectronics Ltd.	Zoran Japan Office	Zoran Korea Office	Zoran Taiwan Office
Tel: 86-21-6427-6258	Tel: 86-755-8281-5777	Tel: +91-989-088-9471	Tel: +972-4-8545-777	Tel: +81-3-5475-1051	Tel: +82-2-761-7471	Tel: +886-2-2659-9797
Fax: 86-21-6427-6260	Fax: 86-755-8322-0889	Fax: +91-20-2729-9009	Fax: +972-4-8551-550	Fax: +81-3-5475-1053	Fax: +82-2-761-7472	Fax: +886-2-2659-9595

© Copyright 2010 Zoran Corporation. All rights reserved. Zoran, the Zoran logo, and SupraXD are trademarks of Zoran Corporation. All other brand product names and company names are trademarks of their respective owners. The information in this document is believed to be reliable. However, Zoran Corporation makes no guarantee or warranty concerning the accuracy of said information and shall not be responsible for any loss or damage of whatever nature resulting from the use of, or reliance upon it. Zoran Corporation does not guarantee that the use of any information contained herein will not infringe upon patent, trademark, copyright, or rights of third parties. Zoran Corporation reserves the right to make changes in the product and/or specifications, or both, presented in this publication at any time without notice.

